

Scale Rings

Steel, Matte Chrome Plated / Plain Finish,
Accessories for Scaling Sets

SPECIFICATION

Types

- Type **MCR**: Matte chrome plated
- Type **MCRS**: Matte chrome plated, standard scale 0...90, 100 graduations, acc. scale scheme d₁/100 A RA 0-10-20...90/10

Steel

- Scale lug d₁ fine turned
- Matte chrome plated without scale **MCR**
- Matte chrome plated with standard scale **MCRS**
Scale laser-engraved, black discharged



INFORMATION

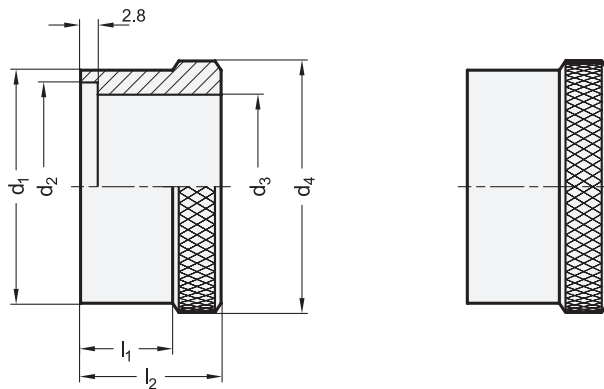
Scale rings GN 264 can be supplied with any type of scale. The ordering scheme for scales must be used for the line pattern, number steps, number position and number sequence of any scaling.

ON REQUEST

- Special graduations (see "How to order graduations") (see page 594)

TECHNICAL INFORMATION

- Assembly installation example of scaling sets (see page)
- "How to order graduations" (see page 594)
- ISO-Fundamental Tolerances (see page A2)



GN 264

Description	d ₁	d ₂	d ₃ H7	d ₄	l ₁	l ₂	Scaling set consists of 1 scaling ring GN 264 2 collar bushings	Scaling set consists of 1 scaling ring GN 264 3 flat springs	⚖
GN 264-30-MCR	30	27	24	33	16	23.7	GN 268-24-K...	GN 374-0.3-10	49
GN 264-30-MCRS	30	27	24	33	16	23.7	GN 268-24-K...	GN 374-0.3-10	49
GN 264-40-MCR	40	36	32	43	16	23.7	GN 268-32-K...	GN 374-0.4-10	86
GN 264-40-MCRS	40	36	32	43	16	23.7	GN 268-32-K...	GN 374-0.4-10	86
GN 264-60-MCR	60	55	50	63	16	25.7	GN 268-50-K...	GN 374-0.6-10	177
GN 264-60-MCRS	60	55	50	63	16	25.7	GN 268-50-K...	GN 374-0.6-10	177
GN 264-80-MCR	80	75	68	83	16	25.7	GN 268-68-K...	GN 374-0.8-10	282
GN 264-80-MCRS	80	75	68	83	16	25.7	GN 268-68-K...	GN 374-0.8-10	282

